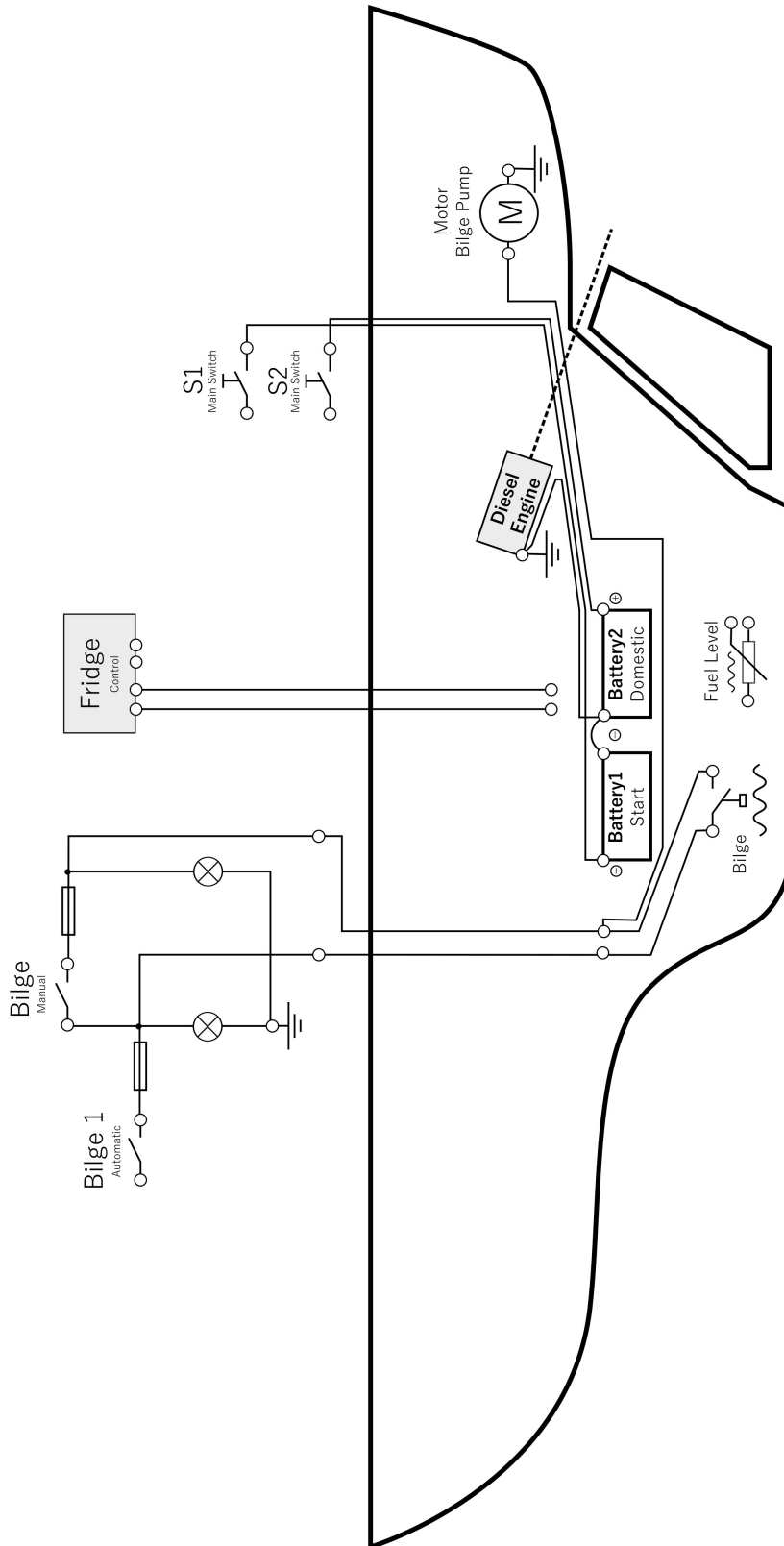
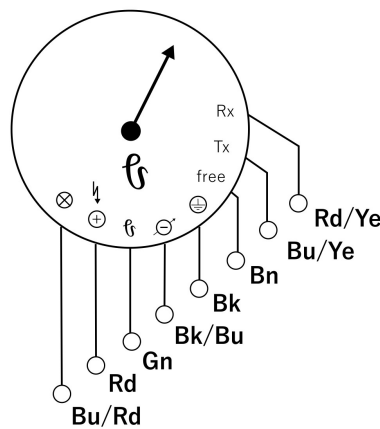
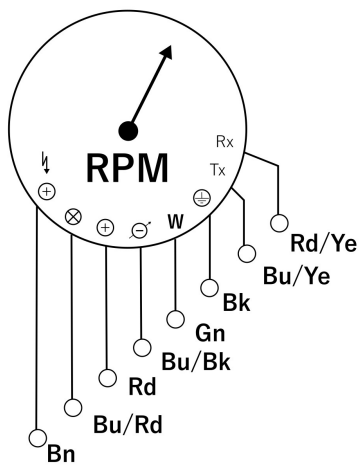
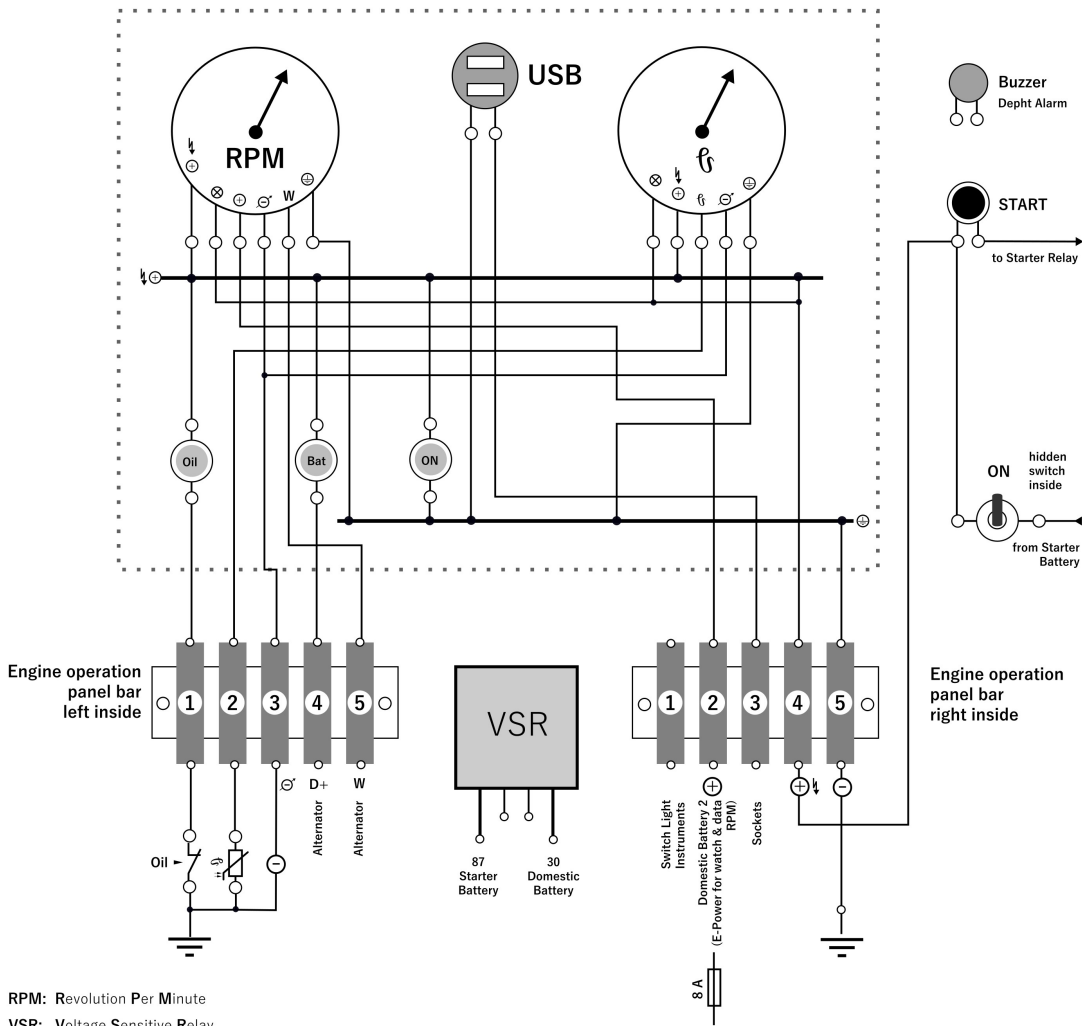


Battery | Fuel | Bilge | Depht



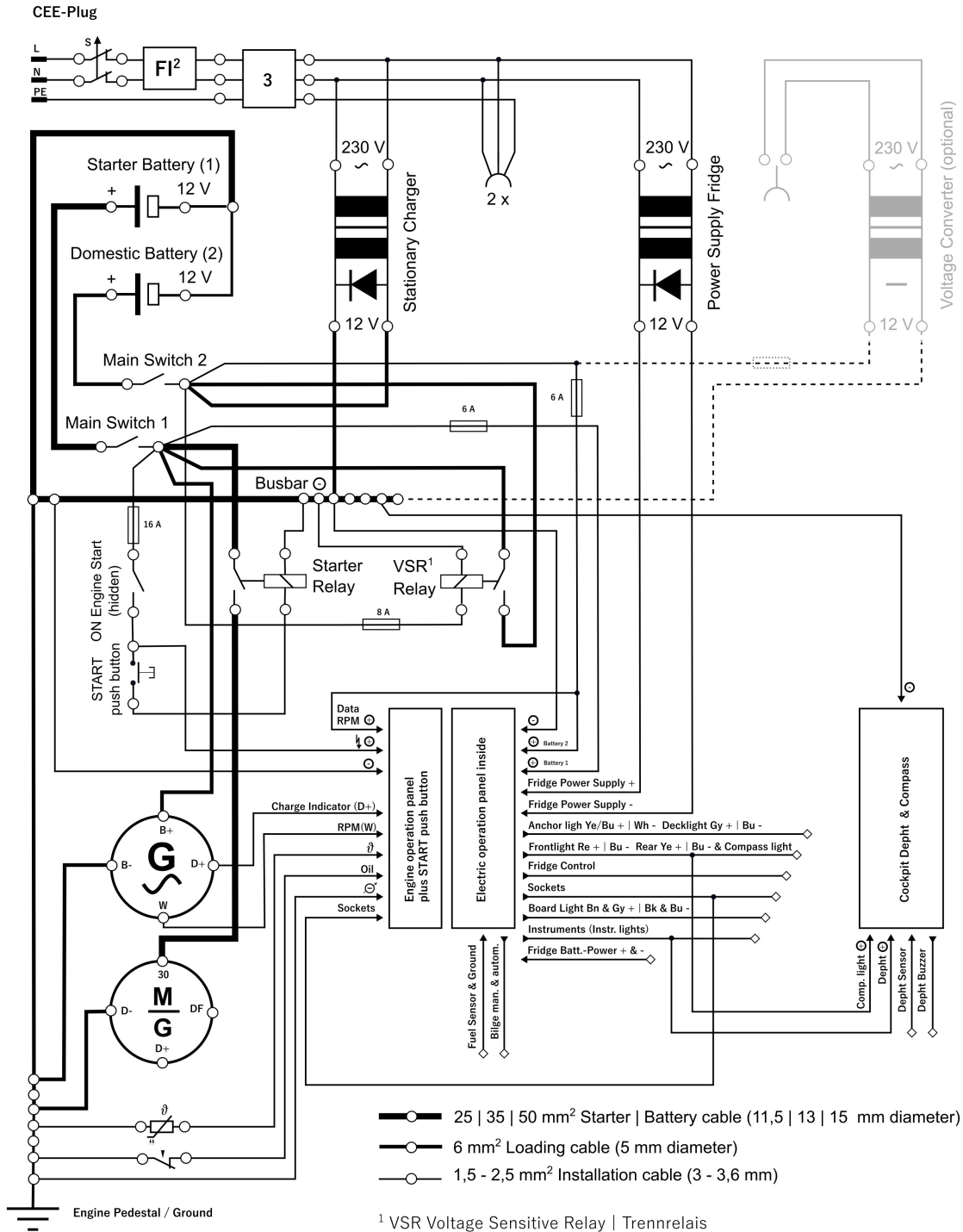
Status 18.07.2019

Engine operation panel view from inside



Schwarz / Black	Bk
Braun / Braun	Bn
Rot / Red	Rd
Orange / Orange	Og
Gelb / Yellow	Ye
Grün / Green	Gn
Blau / Blue	Bu
Violett / Violet	Vt
Grau / Grey	Gy
Weiß / White	Wh
Rosa / Pink	Pk
Türkis / Turquoise	Tq

Motor | Alternator | Electric energy supply | Panels | Devices



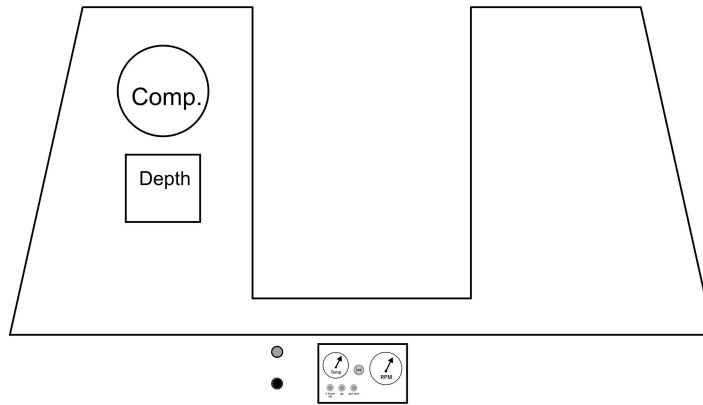
¹ VSR Voltage Sensitive Relay | Trennrelais

² Ground Fault Circuit Interrupter | Fehlerstromschutzschalter

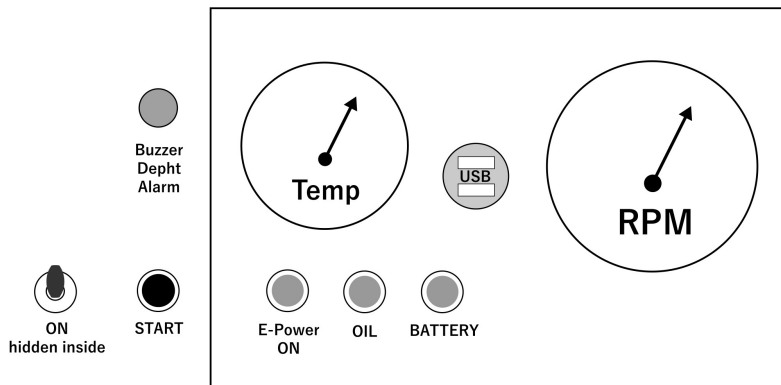
³ Power Supply Control | Bordnetzkontrolle

Panels for Operation and Control Systems on board

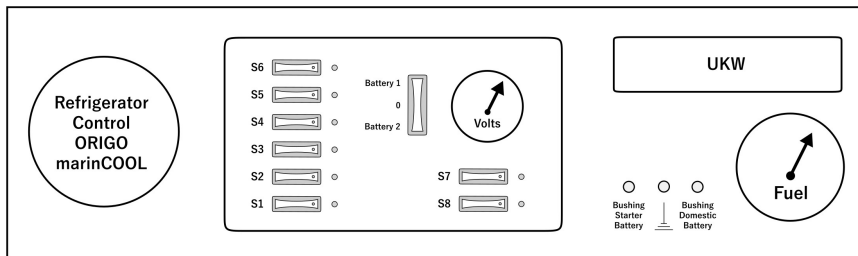
Cockpit view in front direction



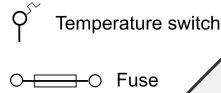
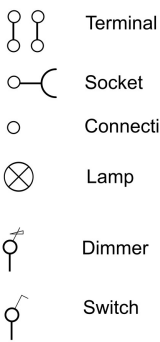
Engine operation panel outside



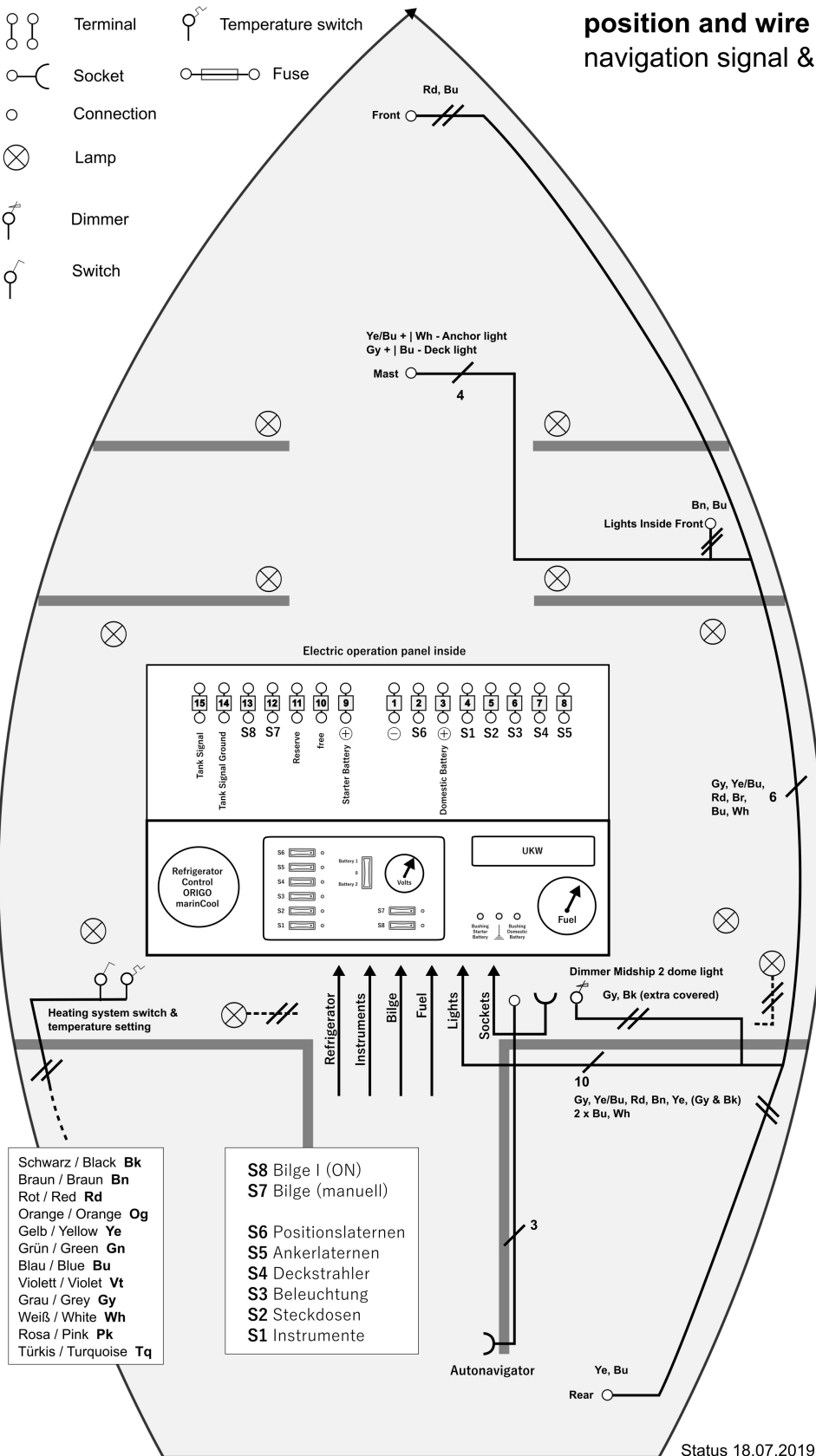
Electric operation & control panel inside



- S8 Bilge I (ON)
- S7 Bilge (manuell)
- S6 Positionslaternen
- S5 Ankerlaternen
- S4 Deckstrahler
- S3 Beleuchtung
- S2 Steckdosen
- S1 Instrumente



position and wire plan navigation signal & lighting



- Schwarz / Black **Bk**
- Braun / Braun **Bn**
- Rot / Red **Rd**
- Orange / Orange **Og**
- Gelb / Yellow **Ye**
- Grün / Green **Gn**
- Blau / Blue **Bu**
- Violett / Violet **Vt**
- Grau / Grey **Gy**
- Weiß / White **Wh**
- Rosa / Pink **Pk**
- Türkis / Turquoise **Tq**

- S8** Bilge I (ON)
- S7** Bilge (manuell)
- S6** Positionslaternen
- S5** Ankerlaternen
- S4** Deckstrahler
- S3** Beleuchtung
- S2** Steckdosen
- S1** Instrumente